

WE-4002

Coupler Carrier Wear Plate



Product Benefits

- Eliminates wear on coupler shank.
- Weighs less than metallic wear plates.
- Simple drop-in installation - no welding required.
- Unconditionally AAR approved.



Amsted Rail

WE-4002

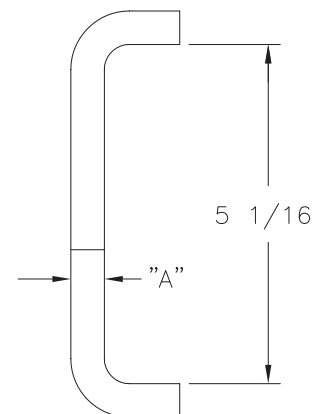
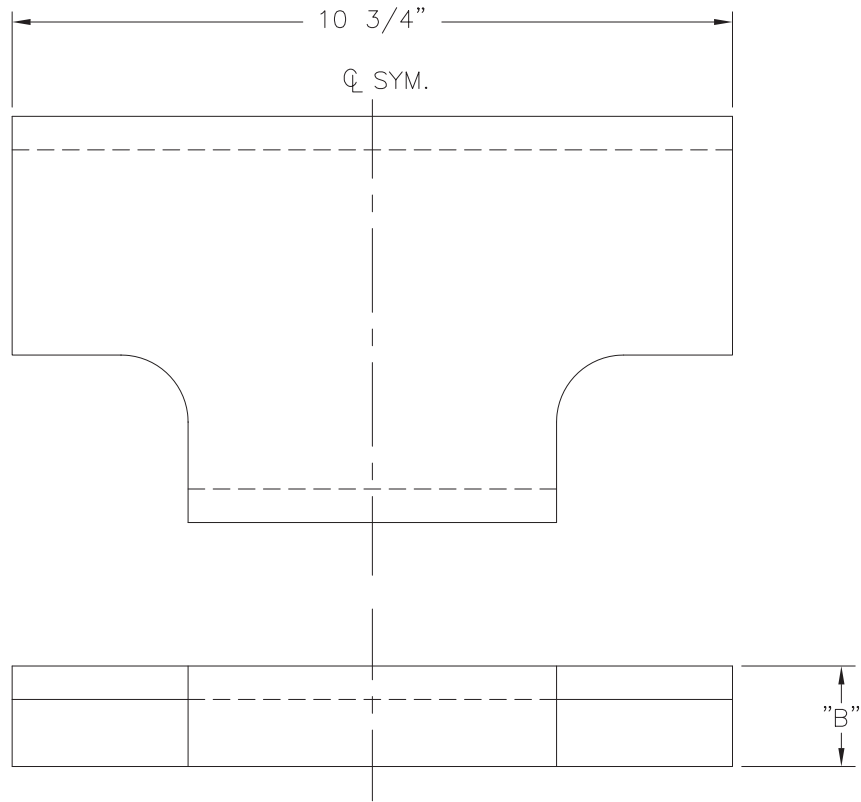
Coupler Carrier Wear Plate

Physical Properties

- Climate limitations:
-70°F to +180°F
- Surface load capabilities:
1000 psi
- Coefficient of friction:
.15
- Deflection:
@ 1000 psi = .007"
- Color: orange

Application Notes

- Coupler carrier and coupler shank must be smooth; free of foreign material, weld splatter, and/or sharp edges.
- Lubrication is not required.



Part Number	DIM A	DIM B
WE-4002	1/2"	1 1/2"
WE-4002-3	3/8"	1 3/8"
WE-4002-5	5/8"	1 5/8"

