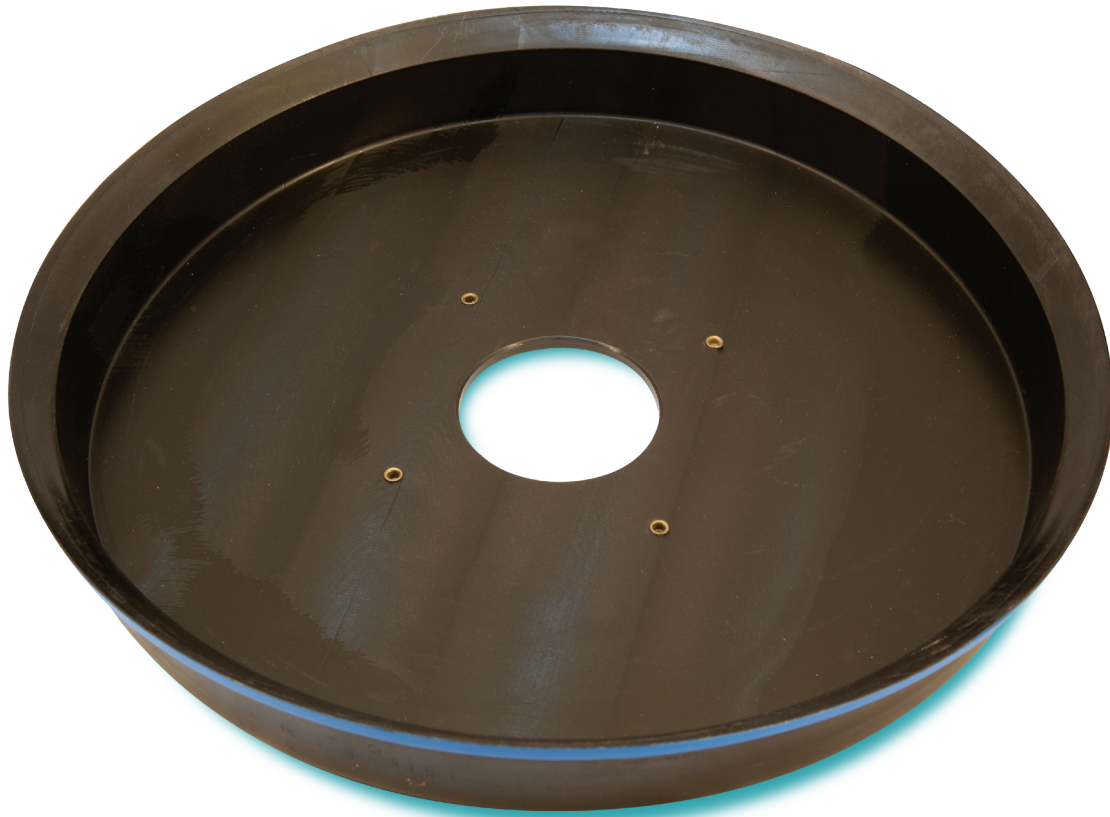


WE-2416, WE-2416J

Premium Center Bowl Wear Liner



WE-2416J Shown Above

Product Benefits

- AAR Approved M-976.
- Enhanced cold flow resistance.
- Heavy duty forged construction.
- Designed for high mileage.
- Simple drop-in installation – no lubrication required.
- Prevents center plate and center bowl wear.

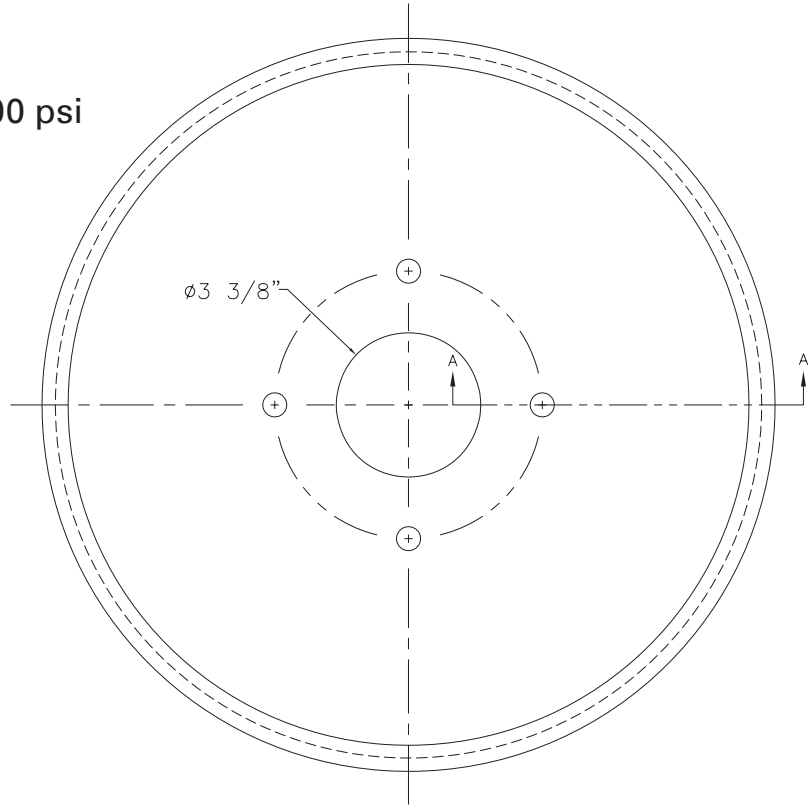


WE-2416, WE-2416J

Premium Center Bowl Wear Liner

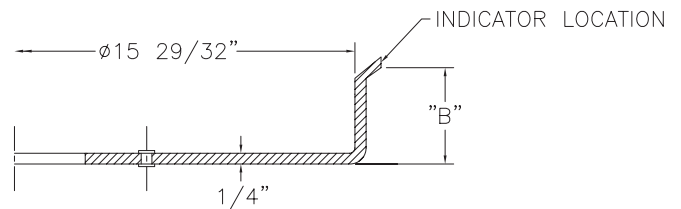
Physical Properties

- Climate limitations:
-70°F to +180°F
- Surface load capabilities: 1000 psi
- Coefficient of friction:
.15
- Color:
WE-2416:
black w/ orange indicator
WE-2416-J:
black w/ blue indicator



Application Notes

- Truck bolster bowl must be designed to accept vertical and horizontal bowl liner.
- Center plates and bolster bowls must be smooth; free of foreign material, weld splatter, and/or sharp edges.



SECTION AA

Part Number	DIM B
WE-2416	2 1/4"
WE-2416J	2"

