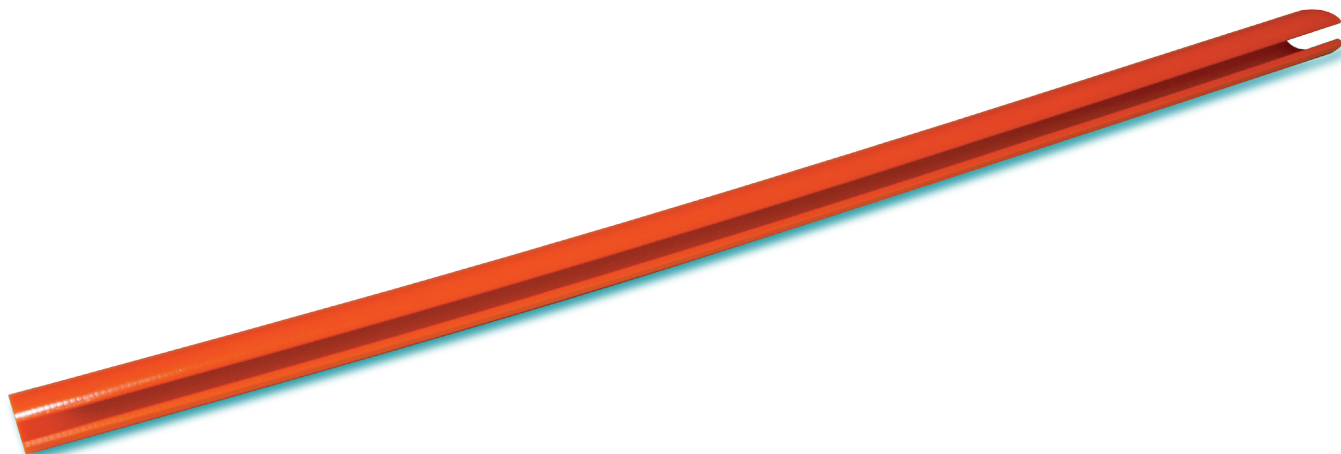


WE-5001-5004

Brake Rod Wear Protector



Product Benefits

- Prevents wear on brake rod and bracket.
- Easy installation: snap on wear eliminator, then tack-weld retainers.
- Reduces friction in braking system.
- Available in any length required.



Amsted Rail

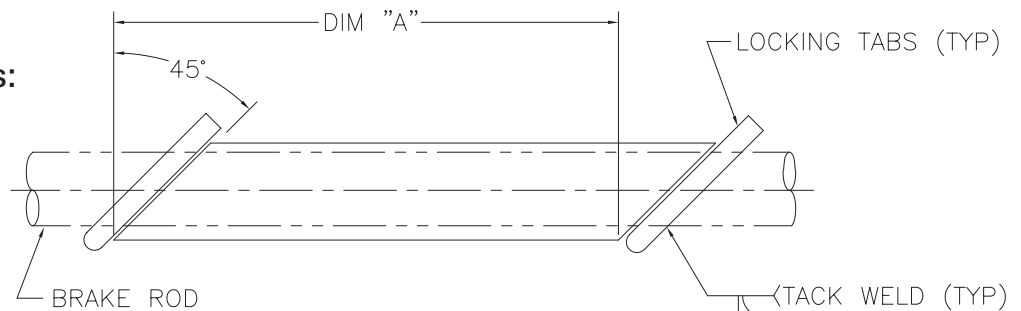
AMSTED RAIL'S HOLLUBE® WEAR PREVENTION PRODUCTS

WE-5001-5004

Brake Rod Wear Protector

Physical Properties

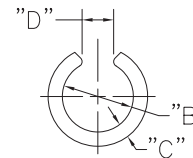
- Climate limitations:
-70°F to +180°F
- Surface load capabilities:
1000 psi
- Coefficient of friction:
.15
- Deflection:
@ 1000 psi = .007"
- Color: orange



Application Notes

- Brake rods and supports must be smooth; free of foreign material, weld splatter, and/or sharp edges.
- Lubrication is not required.

NOTE:
DIMENSION "A" IS VARIABLE
PER CUSTOMER REQUEST



Part Number	DIM B	DIM C	DIM D
WE-5001	0.844"	0.17"	0.375"
WE-5002	1.125"	0.25"	0.625"
WE-5003	1"	0.25"	0.5"
WE-5004	0.875"	0.313"	0.375"

