

WE-4340, WE-4340-XL

Universal Coupler Carrier Wear Plate



Product Benefits

- Fits T-type carriers on newer cars, as well as older "box-type" carriers.
- Longer legs provide insurance against loss.
- Available in standard Hollube® (orange) or Extended Life (-XL) Hollomax™ (blue), engineered to provide hundreds of thousands of miles of wear prevention.
- Patented and AAR approved.
- Eliminates the need to stock multiple wear plates for older and newer cars.
- Simple drop-in installation - no welding required.



Amsted Rail

WE-4340, WE-4340-XL

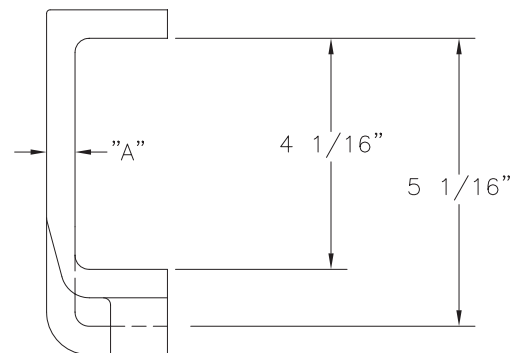
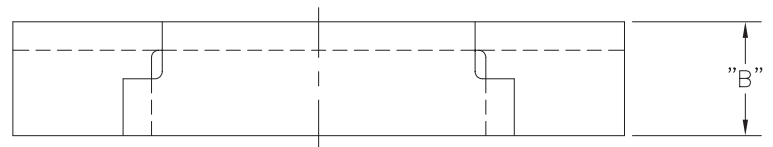
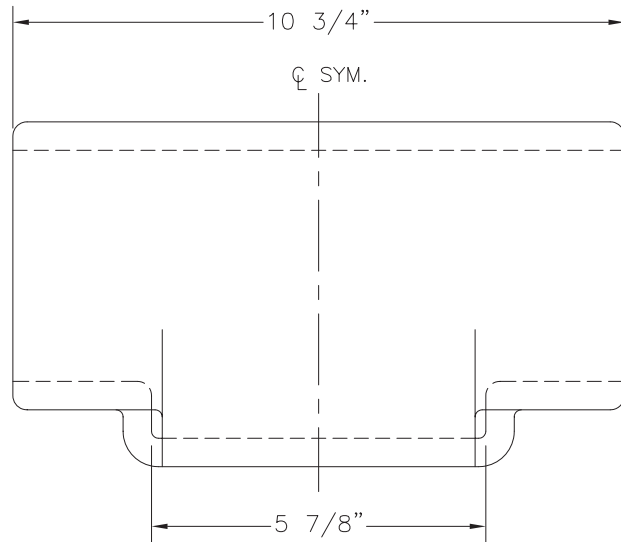
Universal Coupler Carrier Wear Plate

Physical Properties

- Climate limitations:
-70°F to +180°F
- Surface load capabilities:
Hollube: 1000 psi
Hollube XL: 1200 psi
- Coefficient of friction:
.15
- Deflection:
@ 1000 psi = .007"
- Color:
Standard Hollube: orange
Extended Life Hollube®: blue

Application Notes

- Coupler carrier and coupler shank must be smooth; free of sharp edges, weld splatter, and/or foreign material.
- Lubrication is not required.



Part Number	DIM A	DIM B
WE-4340-3	3/8"	1 7/8"
WE-4340-4	1/2"	2"
WE-4340-XL	1/2"	2"
WE-4340-5	5/8"	2 1/8"

