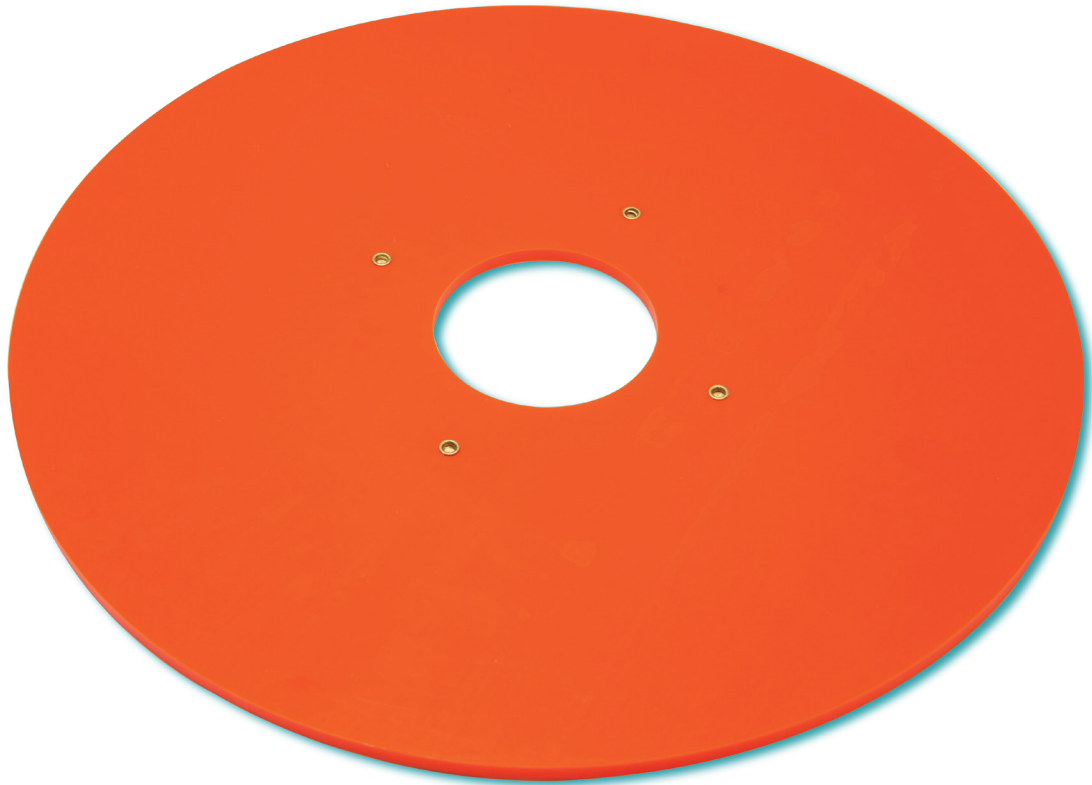


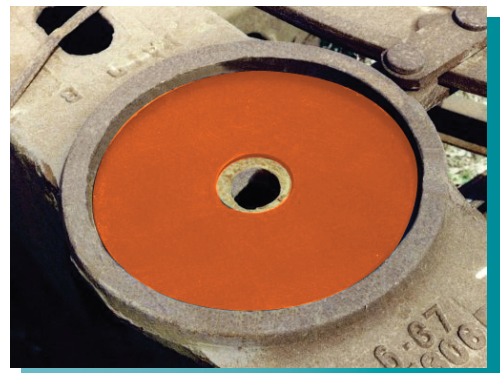
# WE-1010-1016

## Center Bowl Horizontal Liner



### Product Benefits

- Prevents center plate and center bowl horizontal surface wear.
- Available with ground rivets (WE-1016) or without ground rivets (WE- 1016-1).
- AAR approved M-976.
- Never requires lubrication.
- Simple drop-in installation - no welding required.
- Weighs less than metallic liners.



**Amsted Rail**

## WE-1010-1016

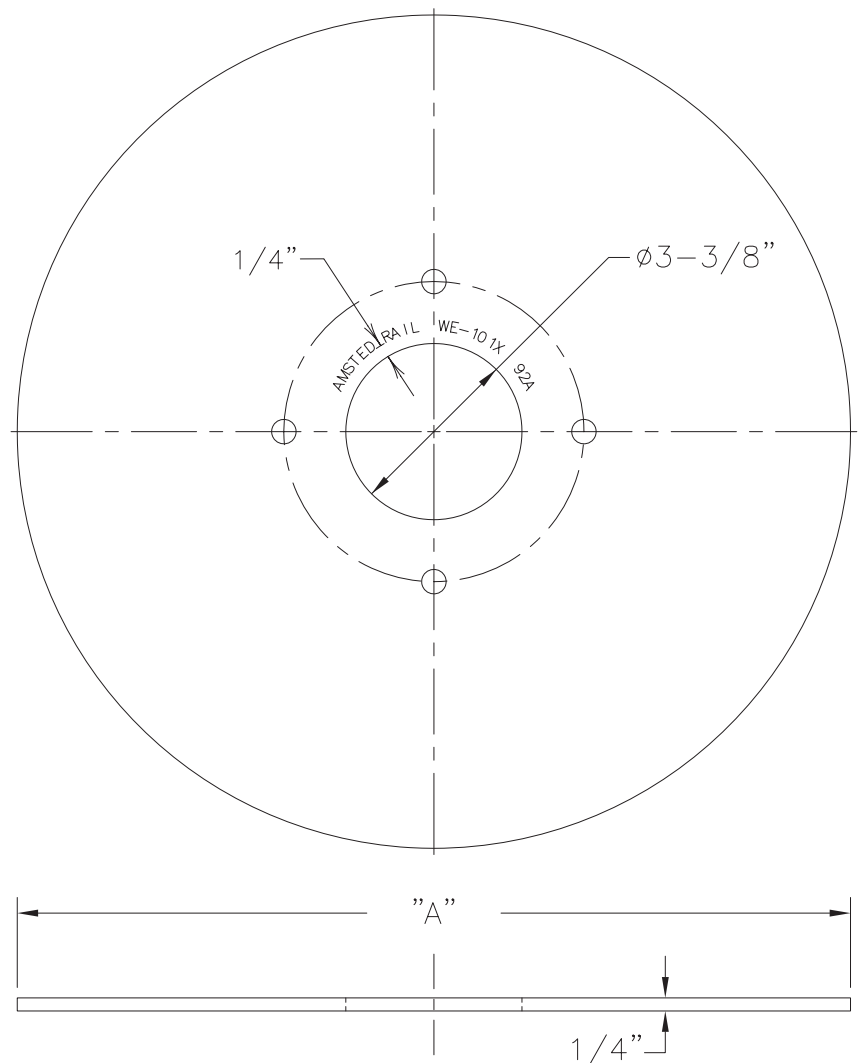
### Center Bowl Horizontal Liner

#### Physical Properties

- Climate limitations:  
-70°F to +180°F
- Surface load capabilities:  
1000 psi
- Coefficient of friction:  
.15
- Deflection:  
@ 1000 psi = .007"
- Color: orange

#### Application Notes

- Truck bolster bowl must be designed to accept vertical and horizontal bowl liner.
- Center plates and bolster bowls must be smooth; free of foreign material, weld splatter, and/or sharp edges.



Part Number	DIM A
WE-1010	9 31/32"
WE-1012	11 31/32"
WE-1014	13 31/32"
WE-1015	14 31/32"
WE-1016	15 31/32"

