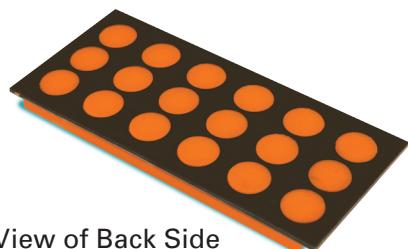


WE-4110

Weld-on Coupler Carrier Wear Plate

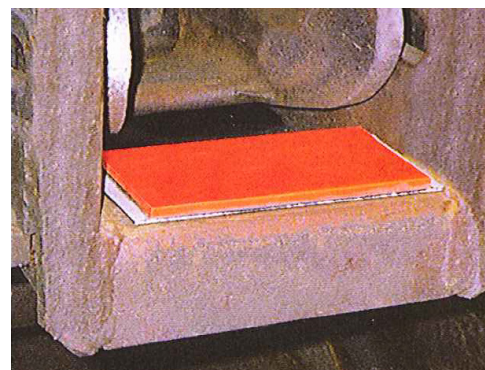


View of Back Side



Product Benefits

- Prevents wear on coupler shank.
- Long life Hollube® bonded to a steel backing provides excellent wear resistance and easy weld-on installation.
- New flow-through physical bond provides 38% stronger bond than old chemical bond.
- No need to remove the coupler for installation.
- Comes in a variety of thicknesses.
- Unconditionally AAR approved.



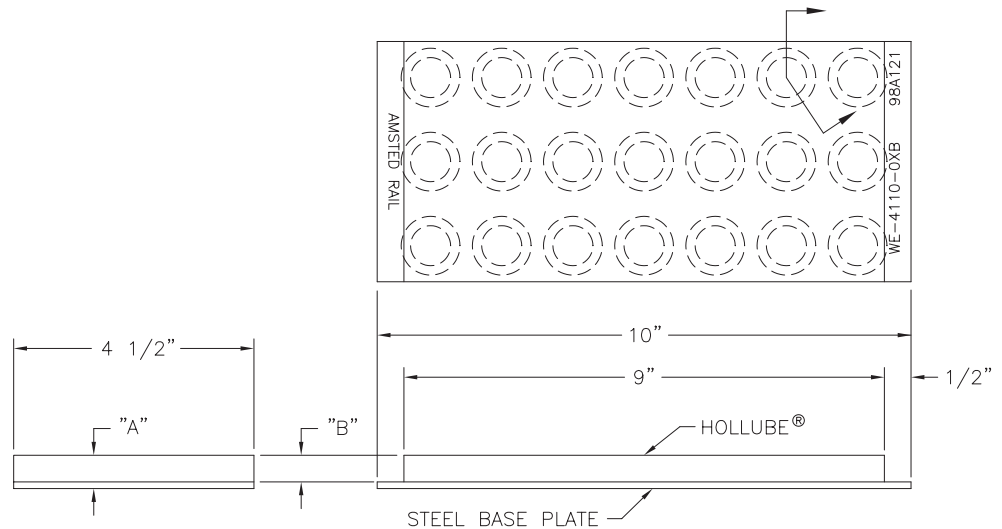
Amsted Rail

WE-4110

Weld-on Coupler Carrier Wear Plate

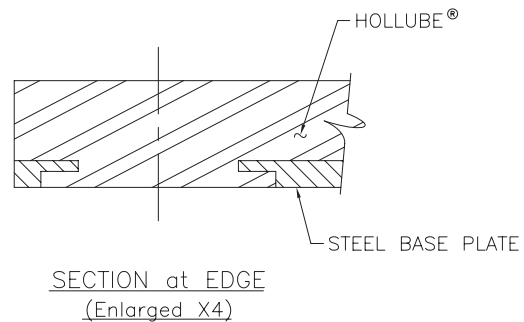
Physical Properties

- Climate limitations:
-70°F to +180°F
- Surface load capabilities:
1000 psi
- Coefficient of friction:
.15
- Deflection:
@ 1000 psi = .007"
- Color: orange



Application Notes

- Coupler carrier and coupler shank must be smooth; free of foreign material, weld splatter, and/or sharp edges.
- Lubrication is not required.
- Available in lengths from 5" to 33"



Part Number	DIM A	DIM B
WE-4110-03B	3/8"	1/4"
WE-4110-04B	1/2"	3/8"
WE-4110-05B	5/8"	1/2"
WE-4110-06B	3/4"	5/8"

