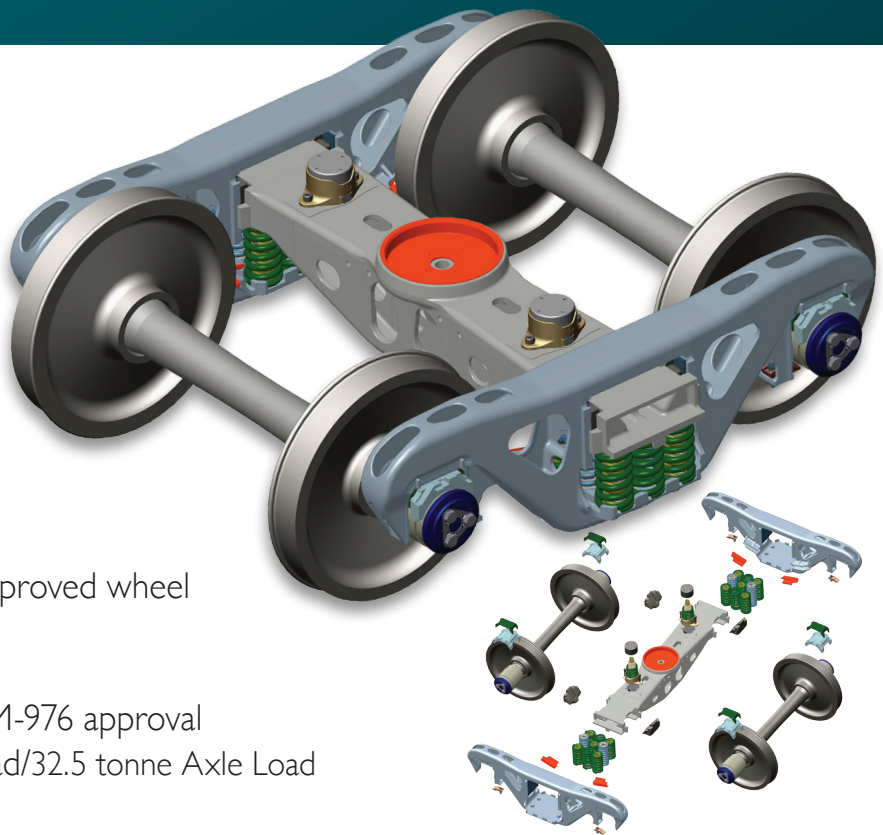


# Motion Control®

## Delivering increased payloads and increased service life



- Most versatile variable damped bogie for all asset types
- Lightest and most commonly specified M-976 bogie system available
- Lowest lifecycle maintenance costs
  - Adapter Plus® steering pad provides improved wheel and bearing service life
  - Longer friction wedge life
- First bogie to achieve unconditional AAR M-976 approval
- Optimal for 286,000 pound Gross Rail Load/32.5 tonne Axle Load

### MOTION CONTROL COMMON CONFIGURATIONS

Designation	Track Gauge	Journal Size	Axle Load	Wheel Diameter	Wheel Base	Center Bowl	Spring Type	Additional Description
2-9568	1000mm	6 X 11	25t	838mm 33"	1727mm 68"	406mm 16"	AAR	ADAPTER PLUS
AR-3474	1067mm	5 ½ X 10	20t	864mm 34"	1753mm 69"	396mm 15.5"	AAR	ADAPTER PLUS
AR-3460	1435mm	6 ½ X 9	25t	920mm 36.2"	1778mm 70"	406mm 16"	AAR	ADAPTER PLUS
AR-3435	1435mm	6 ½ X 9	30t	914mm 36"	1778mm 70"	406mm 16"	AAR	ADAPTER PLUS
AR-3446	1435mm	6 ½ X 9	32.5t	914mm 36"	1778mm 70"	406mm 16"	AAR	ADAPTER PLUS
AR-3446	1435mm	7 X 12	40t	965mm 38"	1829mm 72"	425mm 16.75"	AAR	ADAPTER PLUS TRUCK MOUNTED BRAKES
AR-3441	1520mm	6 ½ X 9	25t	957mm 37.7"	1850mm 72.8"	355mm 14"	CIS	CIS CONFIGURATION ADAPTER PLUS
2-9339	1676mm	7 X 9	32.5t	965mm 38"	1880mm 74"	406mm 16"	AAR	ADAPTER PLUS

A world apart in reliability **Amsted Rail®**

**Amsted Rail, the global leader  
in fully integrated freight car systems  
for the heavy haul rail market.**



Amsted Rail has been an industry leader in freight railroading for more than 100 years. Our experience, dedication and efficiency in servicing today's demanding heavy haul operations is unequalled as we keep railcars rolling in some of the world's toughest railroad environments. To learn more, visit [www.amstedrail.com](http://www.amstedrail.com).

*A world apart in reliability* **Amsted Rail**<sup>®</sup>