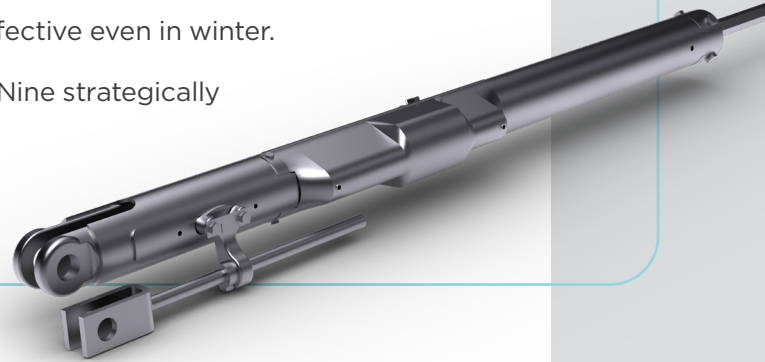


# SLACK ADJUSTER

## MODEL 2000-DJ

- ▶ Amsted Rail Slack Adjuster Model 2000-DJ is a double-acting, fully automatic mechanical slack adjuster.
- ▶ Safe, positive control of air brake piston travel is ensured by maintaining proper shoe clearance at all times.
- ▶ Adjusting is done as brakes are applied, and the unit does not cycle or rotate.
- ▶ Nut and pawl system makes the slack adjuster effective even in winter.
- ▶ Does not rely on rubber seals to keep water out. Nine strategically placed holes drain water from the unit.
- ▶ Grease is packed in key areas to act as a seal.



	SLACK ADJUSTER MODEL 2000-DJ	COMPETITORS' GROUP R SLACK ADJUSTER	COMMENTS
Does not require rubber type seals	✓	X	Competitors' seals fail over time, allowing trapping of water due to ingress.
Has unidirectional drain holes	✓	X	Model 2000-DJ has nine strategically placed drain holes which allow ingress and egress of water. Competitors require drain holes to be placed correctly after installation, which only allow egress of water.
Has a positive holding mechanism	✓	X	Model 2000-DJ uses a pawl and nut system to prevent clutch slippage with water ingress.
Uses a grease seal	✓	X	Oil leaching out of the grease in the Model 2000-DJ becomes a wax seal.
Mechanism to prevent water from traveling down rod to the body of the slack adjuster	✓	X	Model 2000-DJ rod is a hex and is strategically located to form a roof to allow water to drain toward the ground. Competitors use a round rod which allows water to run toward the body.
Group E & R compliant	✓	X	Model 2000-DJ is both a group E and R slack adjuster while the competition requires separate models.

# AMSTED RAIL, THE GLOBAL LEADER IN FULLY INTEGRATED FREIGHT CAR SYSTEMS FOR THE HEAVY HAUL RAIL MARKET.

Amsted Rail is the world's leading provider of undercarriage and end-of-car railcar components, with facilities spanning six continents. Through our state-of-the-art manufacturing processes, Amsted Rail has been redefining industry standards for innovation and technology since 1877, providing our customers worldwide with unmatched performance and reliability for the long haul.

To learn more, visit [www.amstedrail.com](http://www.amstedrail.com).

